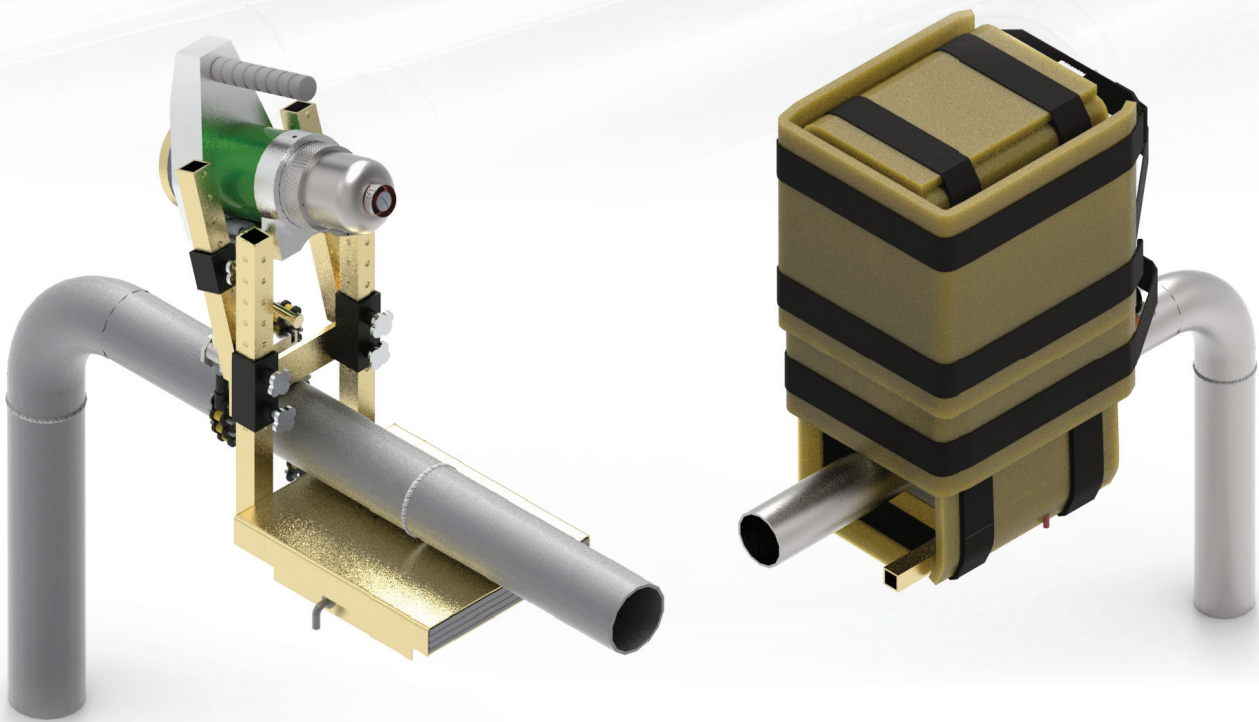
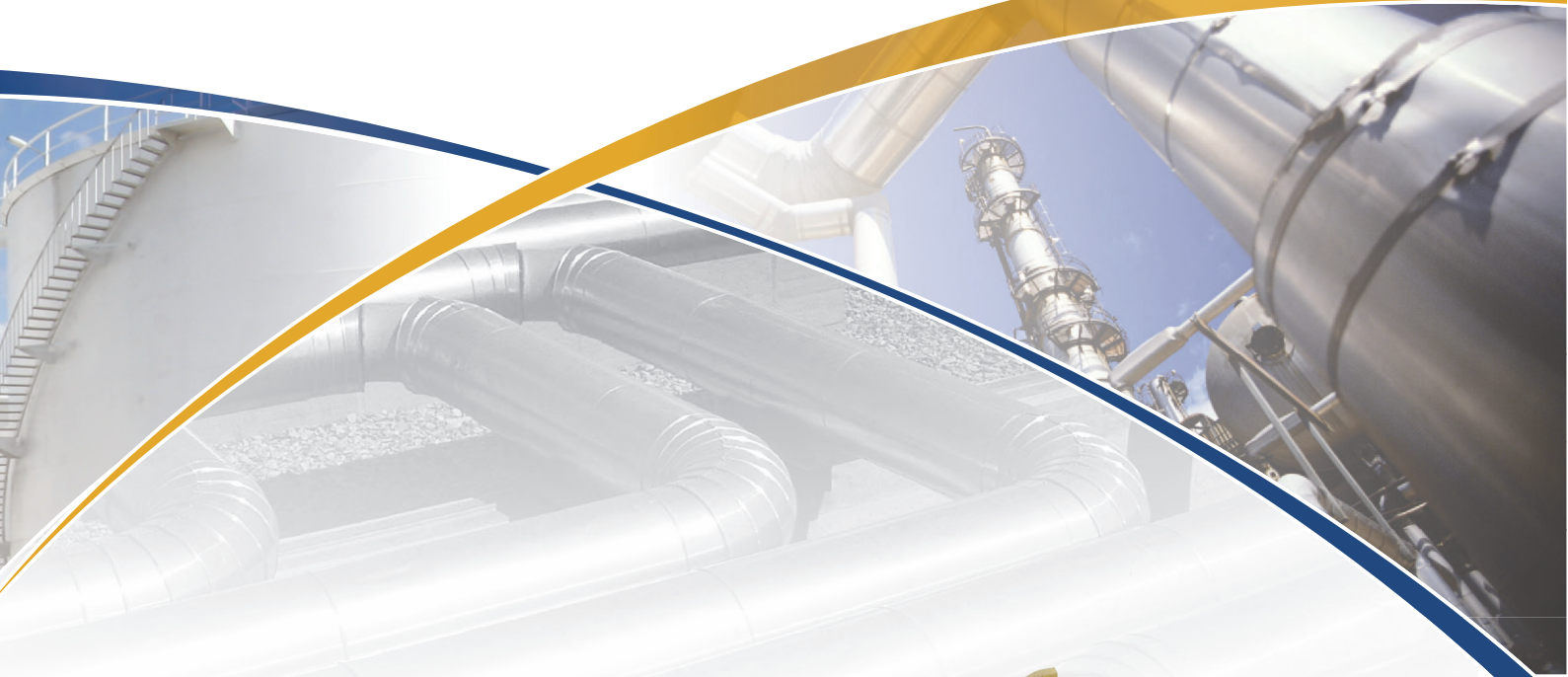


GAMCPR DATA SHEET



Se-75 Close Proximity Radiography

Technical Specifications

Exertus Selen Circa 80/1 (Standard)

Exertus Selen Circa 80 Isotope Projector

Basic Construction Standards: ISO 3999 compliant

Isotopes:

- SE-75 under special form
- SE-75 half life: 119.8 days

Activity: Se-75: 2.96TBq (80Ci)

Surface Dose Rate: Max 2mSv/h

Total Weight: 8.8kg (19.4lb)

Tungsten Weight: 5kg (11lb)

Dimensions (L x W x H): 203mm x 110mm x 191mm

Removable Collimator Weight: 4.3kg (9.4lb)

Collimators

Shielding Mats / Guide Tubes

Weight	10kg	Dimensions	915 x 305 x 9.5 (mm) / 305 x 305 x 9.5 (mm)
Attenuation	Se75: 0.007	Shielding	Equivalent to (3.3 mm) Pb
Half Value Layers	Se75: 7.2	Weight	10.8kg (approx) or 4kg
Beam Size	38° Conical, side throw	Temperature Range	-85° C to 200° C
Material Type	Tungsten Heavy Alloy	Flexible Tungsten Shielding Guide Tube	750 mm
Aperture	CP80 Aperture 11mm x 11mm CP80 Aperture 11mm x 37mm		

Features

Safe working area can be reduced to 1m *

Light weight portable Se 75 Gamma-Ray Projector

Improved radiographic productivity (24 hour production) *

Versatile (adaptable for contact and ellipse shots)

Flexible Radiation Shielding Mats

Easily adjustable Clamping Jig

* Depending on source strength and number of shielding mats used.

* As you can do radiography while other factory functions are happening in the area.

Optional Accessories

See detailed kit options

Customised lengths of Shielded Guide Tube

Custom moulded shielding can be made to requirements

Laser Pointer To Determine Focal Point



GammaTec NDT Supplies SOC Ltd Reg No. 1981/001355/30. A subsidiary of NTP Radioisotopes.

Head Office Building, Vision 21 Industrial Park, Steel Road, Peacehaven, Vereeniging, PO Box 264786 Three Rivers 1935, South Africa.

Tel: +27 16 423 7731, Fax: +27 16 423 1743, Email: info@gammatecsa.com, Web: www.gammatecsa.com